



MainGuard #66WC Sampling Station

- Designed for non-freezing/warm climates
- All surgical stainless steel water way
- Solid aluminum lockable secure enclosure
- Covering lid and side shields for protection of water sample
- 7/16" globe valve blow-off
- 1/8" globe valve sampling bibb
- Vinyl outlet caps keep out contaminants
- Comfort handle for easy operation
- Maintainable from above ground – no digging!
- Easy to install (see spec sheet on back)
- Options:
 - Bolted ground line flange
 - Powder-Coated paint



Protective Outlet Caps



Lockable Enclosure



High Blow-Off Capacity



Protective Lid Cover



Powder-Coated Option



Bolted Flange Option

2511 North 9th Street
St. Louis, MO 63102

800-231-3990

www.hydrants.com

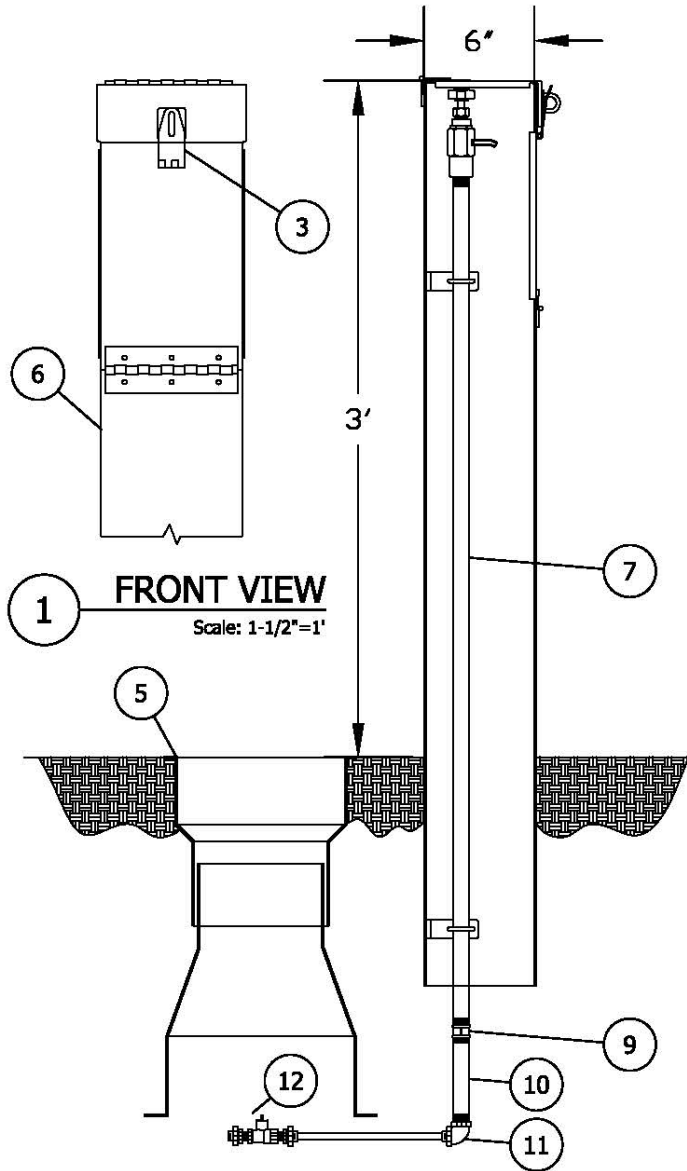
info@hydrants.com

MAINGUARD™



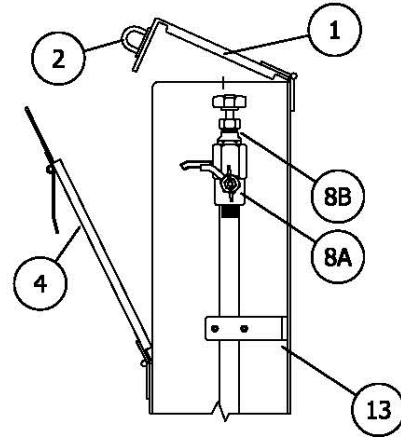
Distributed by:

#66WC SAMPLING STATION SPEC SHEET



FRONT VIEW

Scale: 1-1/2"=1'



SIDE VIEW

Scale: 1-1/2"=1'

#66WC SAMPLING STATION TO BE INSTALLED AT THE FOLLOWING LOCATIONS:

NOTES:

IN SOME CONDITIONS CORROSION OF STAINLESS STEEL CAN OCCUR (EXPOSURE TO SALT WATER, DIRECT EXPOSURE TO STRONG CHLORIDES, ETC.). PROPER MAINTENANCE OF THE EXPOSED STAINLESS STEEL PARTS USING PROPER STAINLESS STEEL CLEANING AGENTS WILL INCREASE THE LIFESPAN OF THE HYDRANT. IF DESIRED, KUPFERLE CAN ALSO OFFER AN ADDITIONAL PASSIVATION PROCESS FOR ADDITIONAL CORROSION PROTECTION.

#66WC SAMPLING STATION SHALL BE 1' BURY WITH A 1/2" MIP INLET AND A 7/16" UNTHREADED BLOW OFF. ALL STATIONS SHALL BE ENCLOSED IN A LOCKABLE, NON-REMOVABLE 6" SQUARE ALUMINUM HOUSING. ALL OPENINGS SHALL BE HINGED. STATION SHALL REQUIRE NO KEY FOR OPERATION. AN OPERATING VALVE SHALL CONTROL THE FLOW OF WATER THRU THE 7/16" OUTLET, WITH 6 ROTATIONS OF THE HANDLE BEING FULLY OPEN. ALL WATER FLOW SHALL PASS THRU AN ALL STAINLESS STEEL WATERWAY. ALL WORKING PARTS SHALL BE OF STAINLESS STEEL AND SERVICEABLE ABOVE GROUND WITH NO DIGGING OR REPLACEMENT NEEDED.

| ITEM | ITEM / DESCRIPTION | NOTES | OPTIONAL |
|------|------------------------|-----------|----------|
| 1 | TOP ACCESS DOOR | | |
| 2 | PADLOCK EYE | | |
| 3 | PADLOCK HASP | | |
| 4 | FRONT ACCESS DOOR | | |
| 5 | VALVE BOX | BY OTHERS | |
| 6 | 6" ALUMINUM SQUARE BOX | | |
| 7 | 1/2" S.S. WATERWAY | | |
| 8A | SAMPLING BIBB | | |
| 8B | OPERATING VALVE | | |
| 9 | 1/2" S.S. COUPLING | BY OTHERS | X |
| 10 | 1/2" S.S. NIPPLE | BY OTHERS | X |
| 11 | 1/2" S.S. ELBOW | BY OTHERS | X |
| 12 | HYDRANT SHUT-OFF VALVE | BY OTHERS | X |
| 13 | MOUNTING BRACKET | | |
| 14 | OPERATING VALVE | | |

| | |
|----------|----------------------|
| | |
| | |
| | |
| DD/MM/YY | ISSUED FOR REFERENCE |
| DATE | STATUS / REVISION |

#66WC

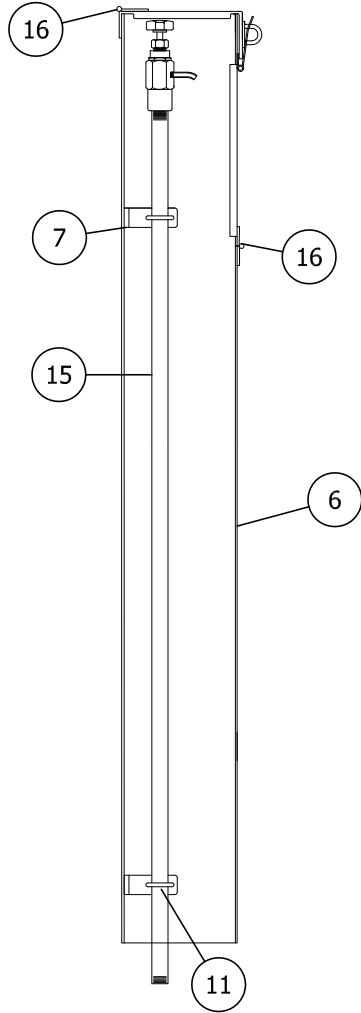
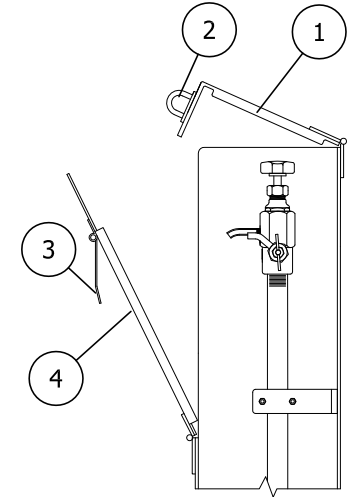
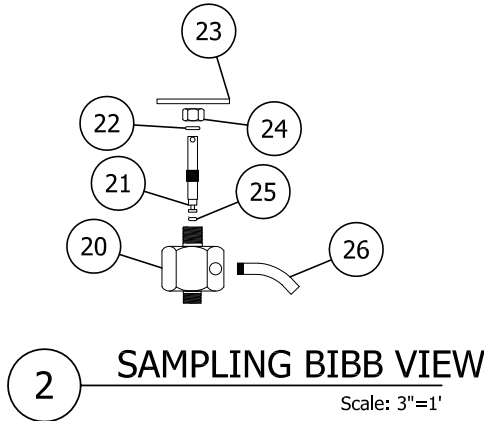
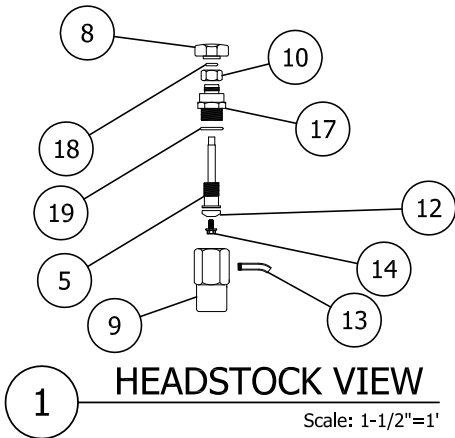
SHEET 1 OF 1

DRAWN
BAM
APPROVED
DCL
DATE
3/13/14
SCALE
1.2"=1'



2511 NORTH 9TH STREET
ST. LOUIS, MO 63102
1-800-231-3990
FAX 314-231-2820
www.hydrants.com

#66WC SAMPLING STATION CUT SHEET



3 TOP RIGHT VIEW
Scale: 1-1/2"=1'

| ITEM | ITEM / DESCRIPTION | NOTES | PART # |
|------|------------------------|--------------|--------|
| 1 | TOP ACCESS DDDR | | 66S23 |
| 2 | PADLOCK EYE | | 66S38 |
| 3 | PADLOCK HASP | | 66S37 |
| 4 | FRONT ACCESS DOOR | | 66S24 |
| 5 | STEM | | 66S13 |
| 6 | 6" ALUMINUM SQUARE BOX | | 6ALSQ |
| 7 | PIPE MOUNT BRACKETS | 4 ALUM ANGLE | |
| 8 | KNDB | | 66S24 |
| 9 | HEADSTOCK | | 66S11 |
| 10 | PACKING NUT | | 66S15 |
| 11 | U-BOLT FOR 1/2" PIPE | | 66S20 |
| 12 | SEAT RUBBER | | 66S27 |
| 13 | 3/8" S.S. NOZZLE | | 3/8ST |
| 14 | PLUNGER SCREW | | 66S28 |
| 15 | 1/2" S.S. WATERWAY | | 1/2SSP |
| 16 | PIANO HINGE | | 66S21 |
| 17 | HEADSTOCK TOP NUT | | 66S16 |
| 18 | STEM O-RING | | 66S07 |
| 19 | HEADSTOCK O-RING | | 66S09 |
| 20 | PETCOCK BODY | | 66S01 |
| 21 | PETCOCK PLUNGER | | 66S03 |
| 22 | PETCOCK O-RING | | 66S08 |
| 23 | PETCOCK HANDLE | | 66S04 |
| 24 | PETCOCK NUT | | 66S02 |
| 25 | PETCOCK O-RING | | 66S10 |
| 26 | PETCOCK NOZZLE | | 66S05 |

| | |
|----------|----------------------|
| | |
| | |
| | |
| DD/MM/YY | ISSUED FOR REFERENCE |
| DATE | STATUS / REVISION |

#66WC

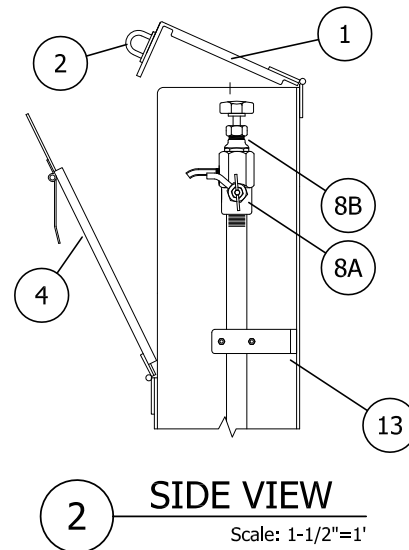
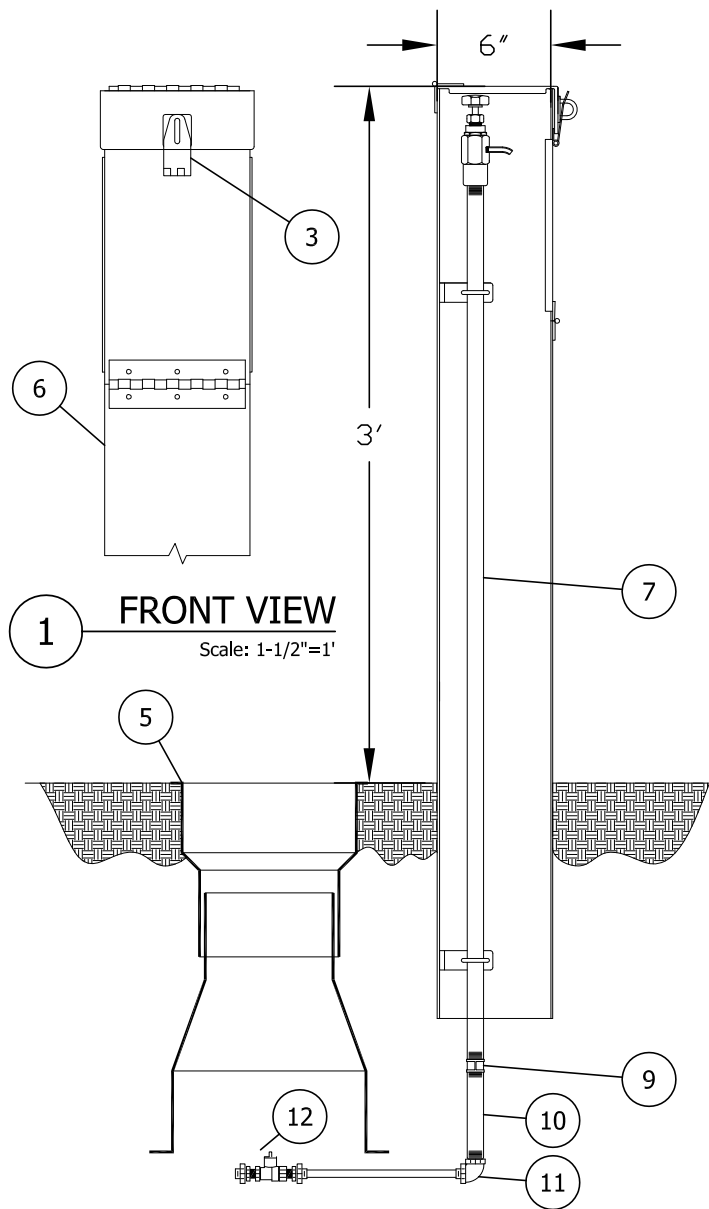
SHEET 1 OF 1

DRAWN
BAM
APPROVED
DCL
DATE
3/13/14
SCALE
1.2"=1'



2511 NORTH 9TH STREET
ST. LOUIS, MO 63102
1-800-231-3990
FAX 314-231-2820
www.hydrants.com

#66WC SAMPLING STATION SPEC SHEET



#66WC SAMPLING STATION TO BE INSTALLED AT THE FOLLOWING LOCATIONS:

NOTES:

IN SOME CONDITIONS CORROSION OF STAINLESS STEEL CAN OCCUR (EXPOSURE TO SALT WATER, DIRECT EXPOSURE TO STRONG CHLORIDES, ETC.). PROPER MAINTENANCE OF THE EXPOSED STAINLESS STEEL PARTS USING PROPER STAINLESS STEEL CLEANING AGENTS WILL INCREASE THE LIFESPAN OF THE HYDRANT. IF DESIRED, KUPFERLE CAN ALSO OFFER AN ADDITIONAL PASSIVATION PROCESS FOR ADDITIONAL CORROSION PROTECTION.

#66WC SAMPLING STATION SHALL BE 1' BURY WITH A 1/2" MIP INLET AND A 7/16" UNTHREADED BLOW OFF. ALL STATIONS SHALL BE ENCLOSED IN A LOCKABLE, NON-REMOVABLE 6" SQUARE ALUMINUM HOUSING. ALL OPENINGS SHALL BE HINGED. STATION SHALL REQUIRE NO KEY FOR OPERATION. AN OPERATING VALVE SHALL CONTROL THE FLOW OF WATER THRU THE 7/16" OUTLET, WITH 6 ROTATIONS OF THE HANDLE BEING FULLY OPEN. ALL WATER FLOW SHALL PASS THRU AN ALL STAINLESS STEEL WATERWAY. ALL WORKING PARTS SHALL BE OF STAINLESS STEEL AND SERVICEABLE ABOVE GROUND WITH NO DIGGING OR REPLACEMENT NEEDED.

| ITEM | ITEM / DESCRIPTION | NOTES | OPTIONAL |
|------|------------------------|-----------|----------|
| 1 | TOP ACCESS DOOR | | |
| 2 | PADLOCK EYE | | |
| 3 | PADLOCK HASP | | |
| 4 | FRONT ACCESS DOOR | | |
| 5 | VALVE BOX | BY OTHERS | |
| 6 | 6" ALUMINUM SQUARE BOX | | |
| 7 | 1/2" S.S. WATERWAY | | |
| 8A | SAMPLING BIBB | | |
| 8B | OPERATING VALVE | | |
| 9 | 1/2" S.S. COUPLING | BY OTHERS | X |
| 10 | 1/2" S.S. NIPPLE | BY OTHERS | X |
| 11 | 1/2" S.S. ELBOW | BY OTHERS | X |
| 12 | HYDRANT SHUT-OFF VALVE | BY OTHERS | X |
| 13 | MONITORING BRACKET | | |
| 14 | OPERATING VALVE | | |

| | |
|----------|----------------------|
| | |
| | |
| | |
| DD/MM/YY | ISSUED FOR REFERENCE |
| DATE | STATUS / REVISION |

#66WC

SHEET 1 OF 1

DRAWN
BAM
APPROVED
DCL
DATE
3/13/14
SCALE
1.2"=1'



2511 NORTH 9TH STREET
ST. LOUIS, MO 63102
1-800-231-3990
FAX 314-231-2820
www.hydrants.com